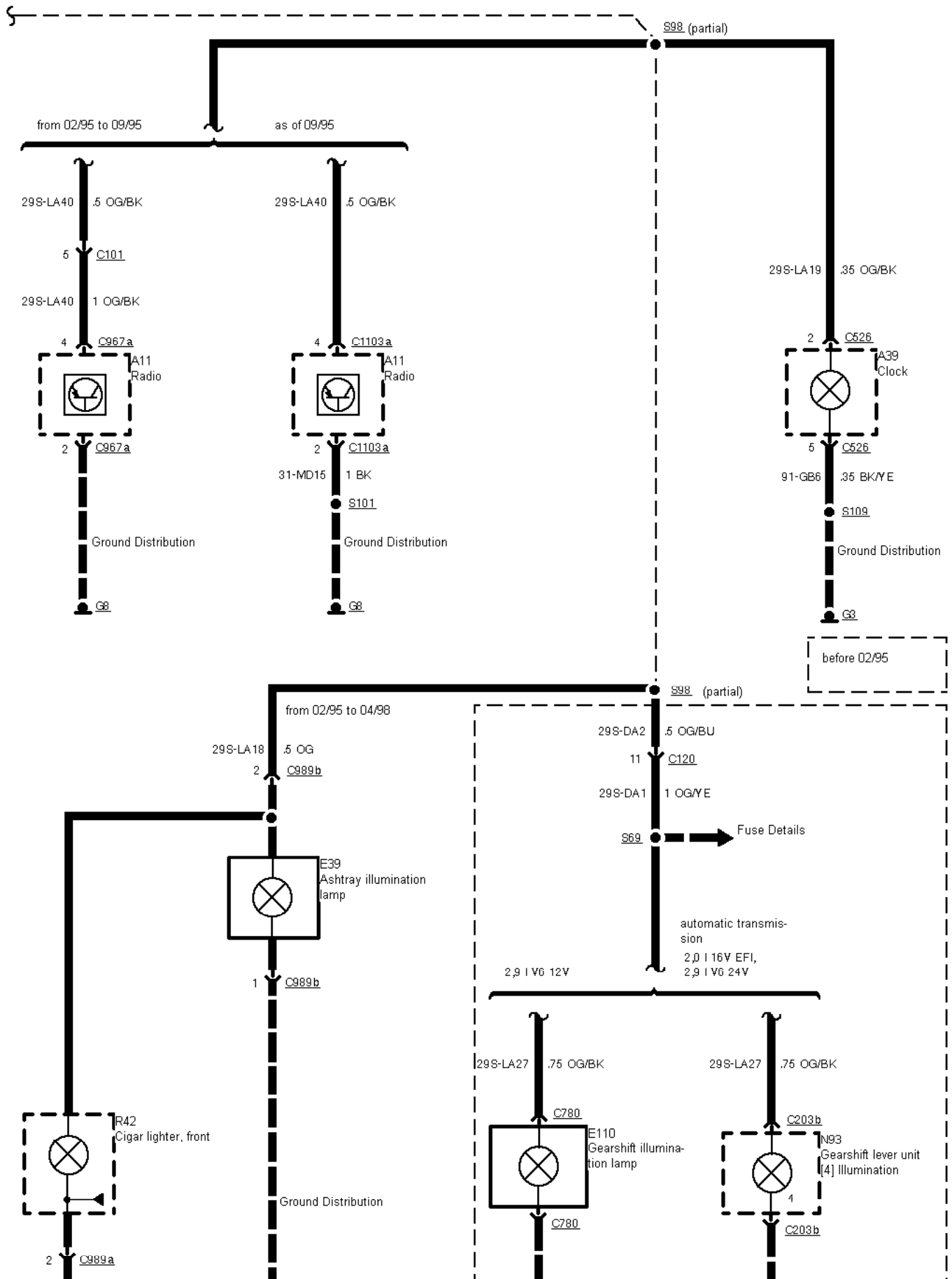
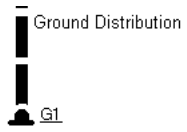


* 2,9 L V6 12V automatic transmission

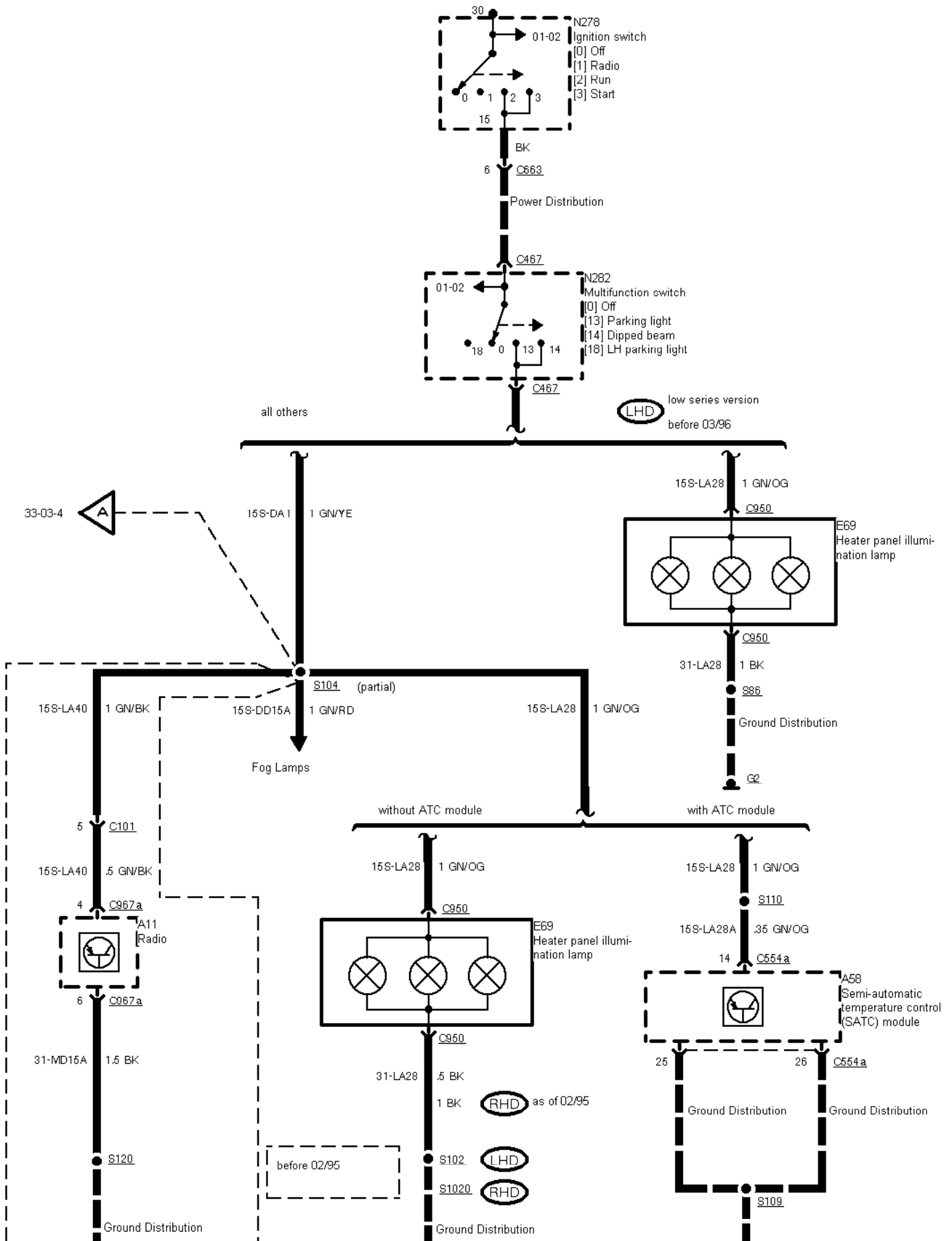


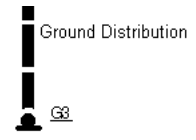
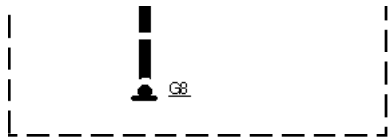
33-03-002 , Instrument Illumination



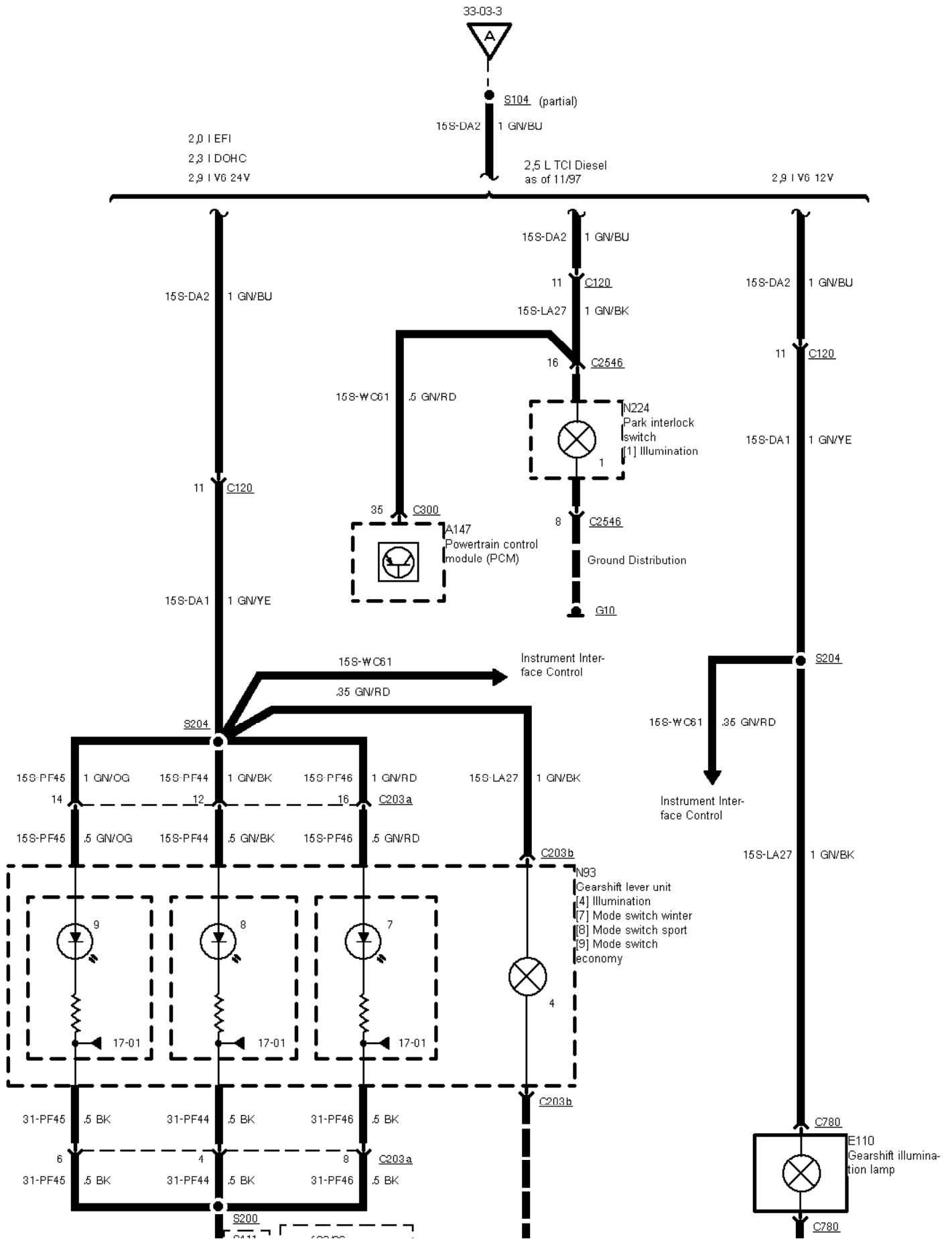


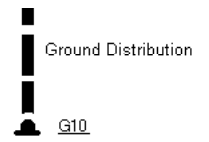
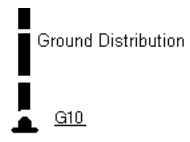
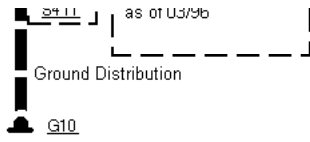
33-03-003 , Instrument Illumination



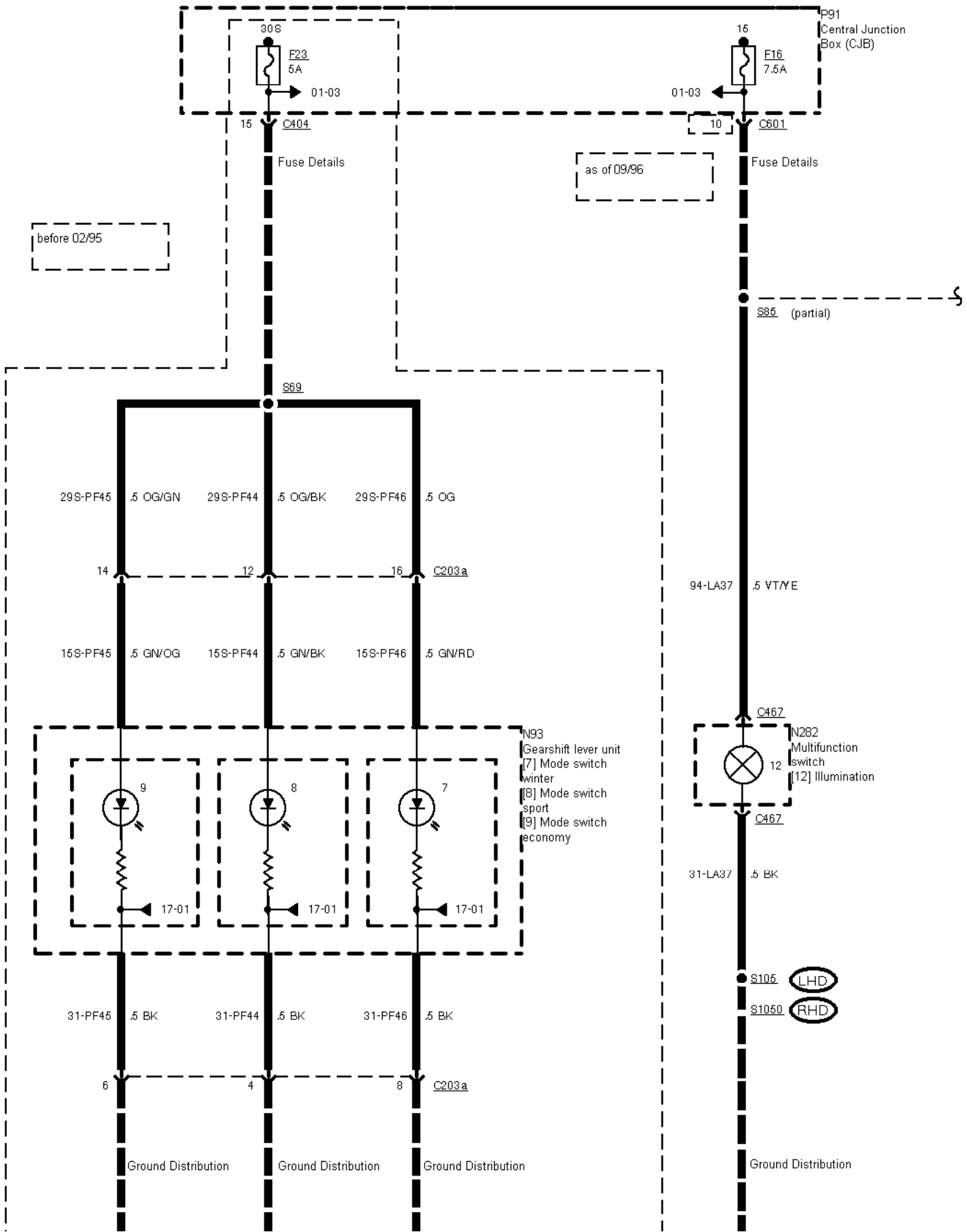


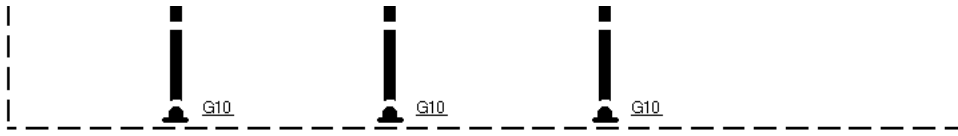
33-03-004 , Instrument Illumination , As of 02/95 Automatic transmission





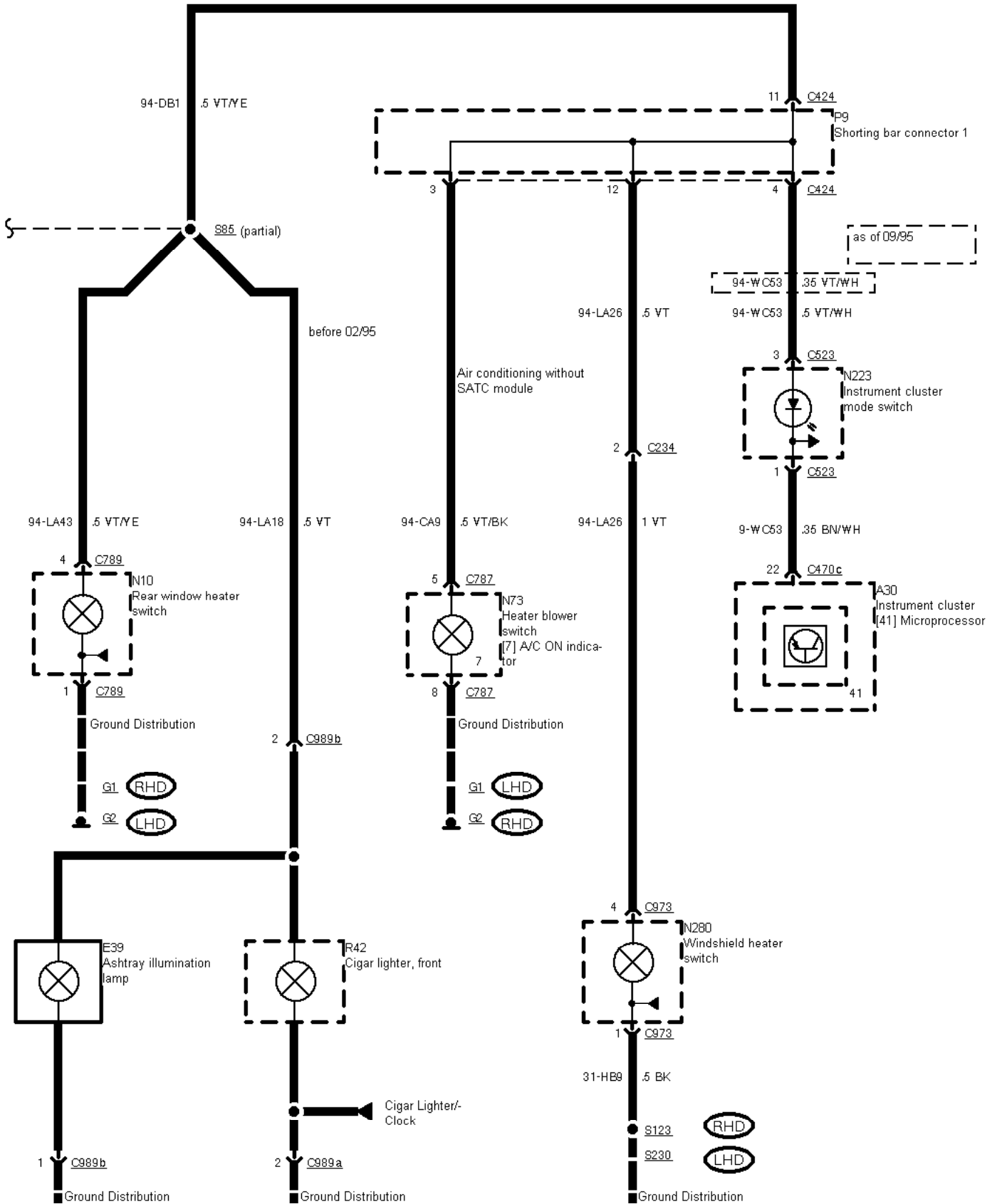
33-03-005 , Instrument Illumination

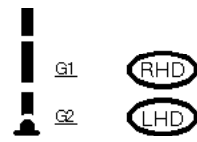
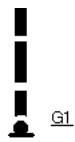




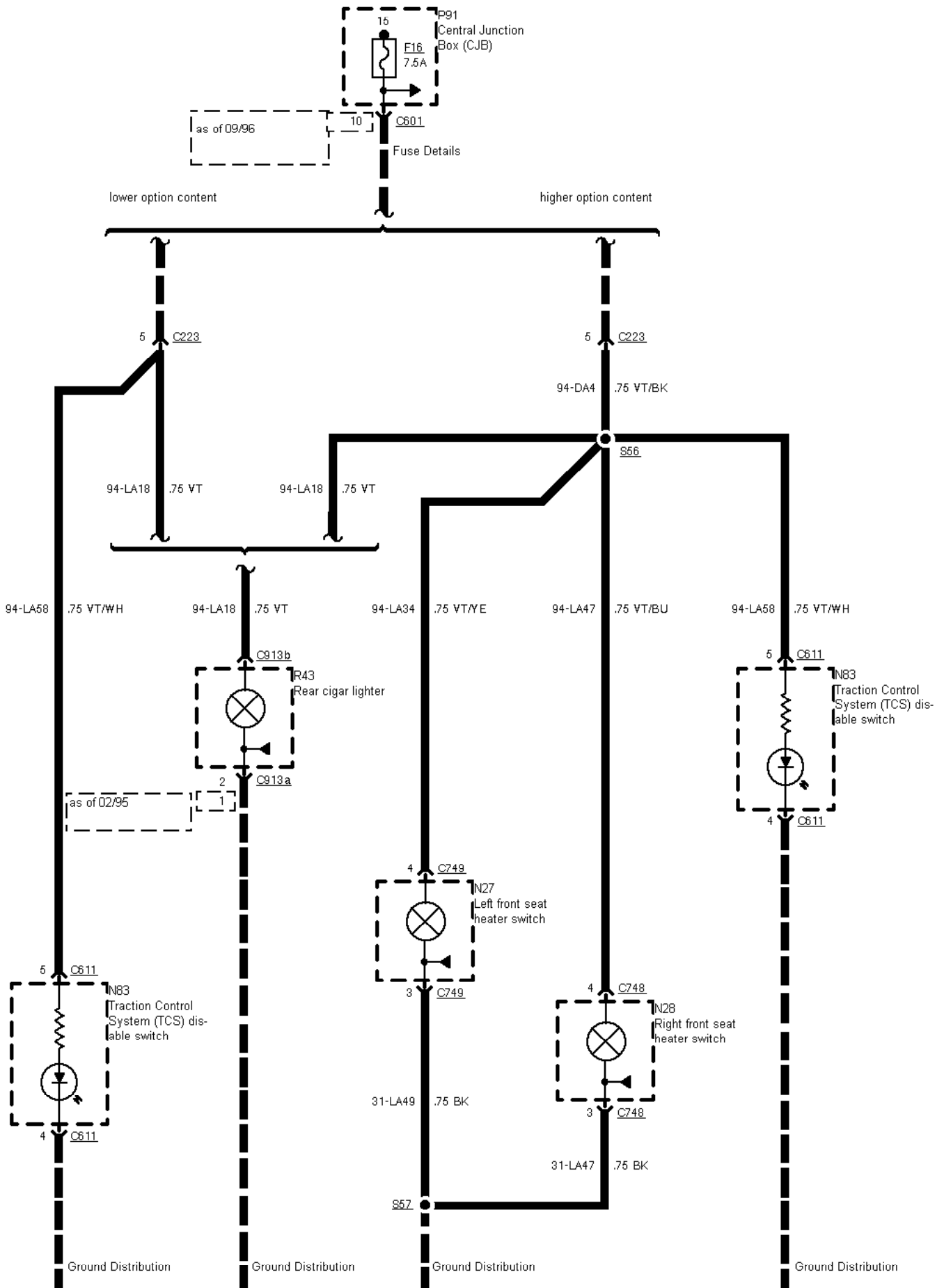
33-03-006 , Instrument Illumination

* Air conditioning without SATC module



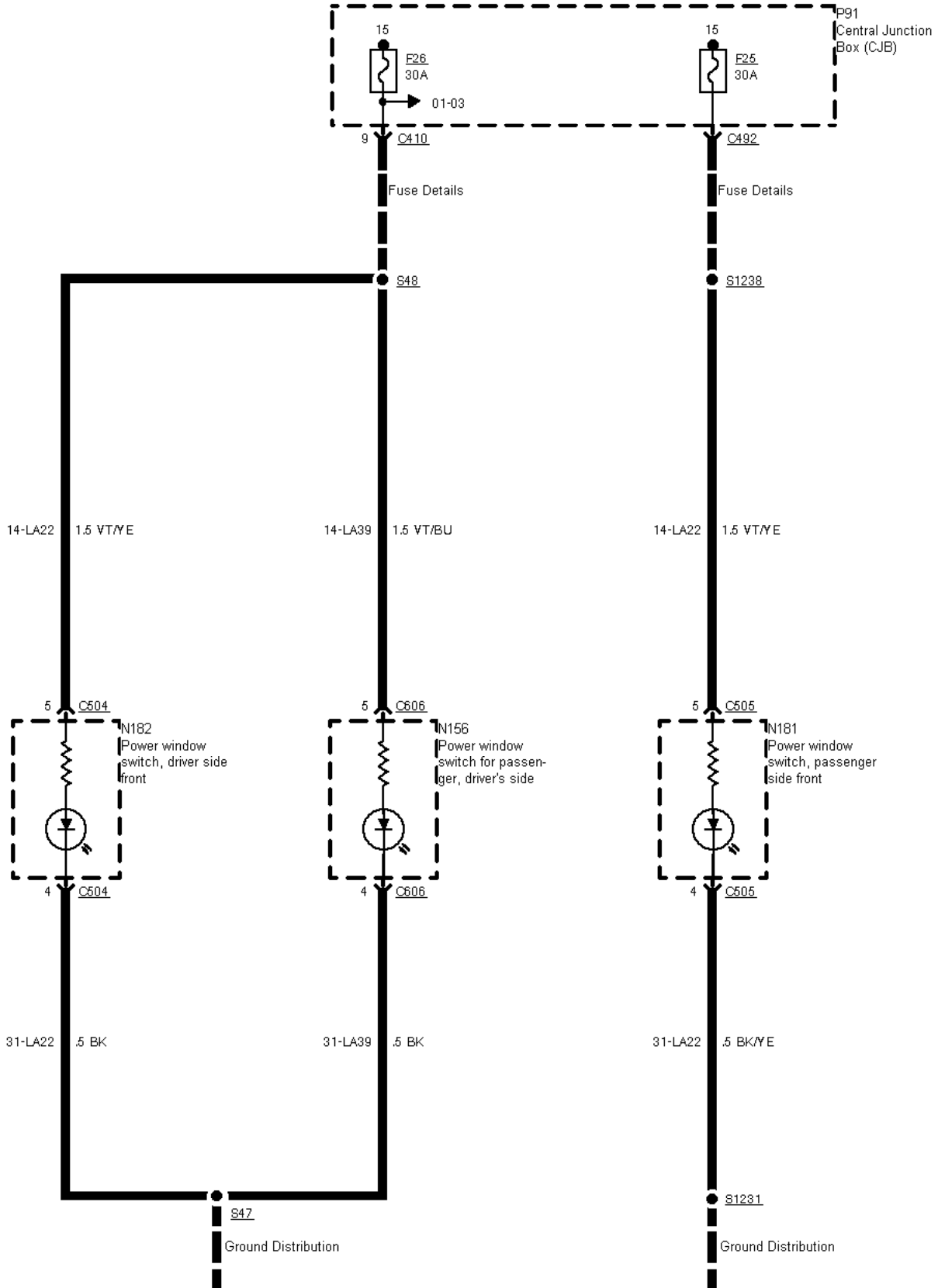


33-03-007 , Instrument Illumination





33-03-008 , Instrument Illumination , Front power window Before 02/95



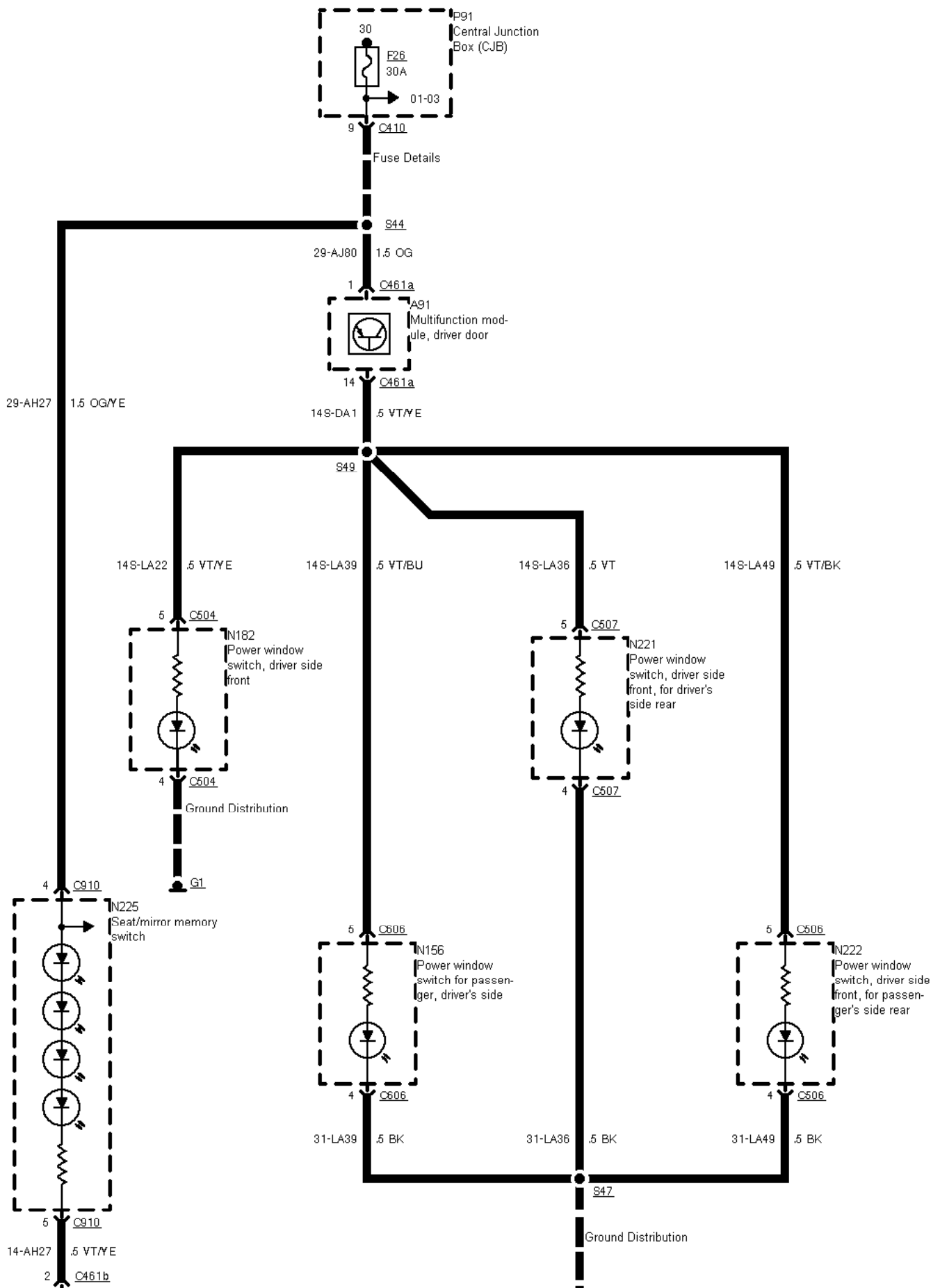


GI



GI

33-03-009 , Instrument Illumination , Higher option content Before 02/95



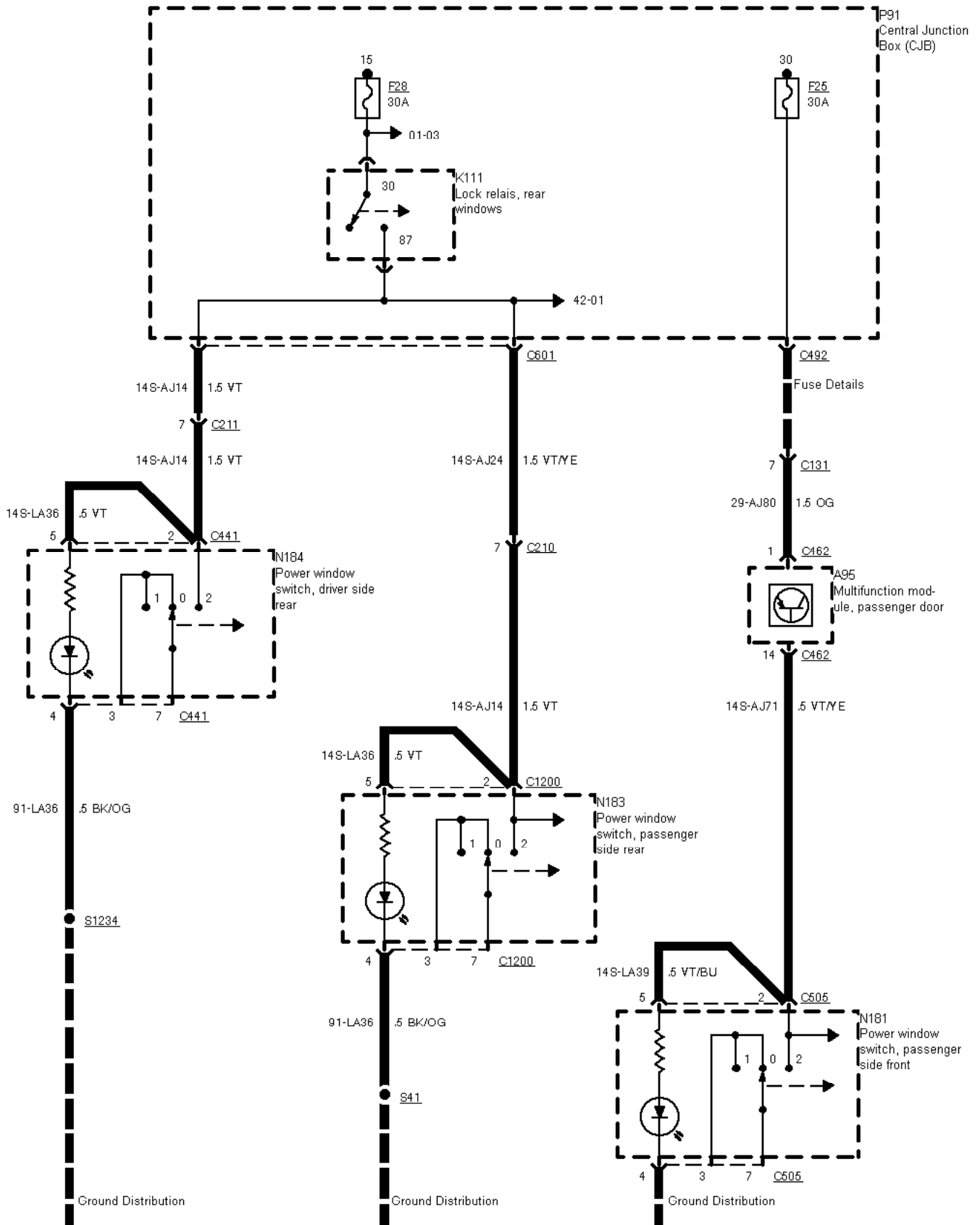


A91
Multifunction mod-
ule, driver door



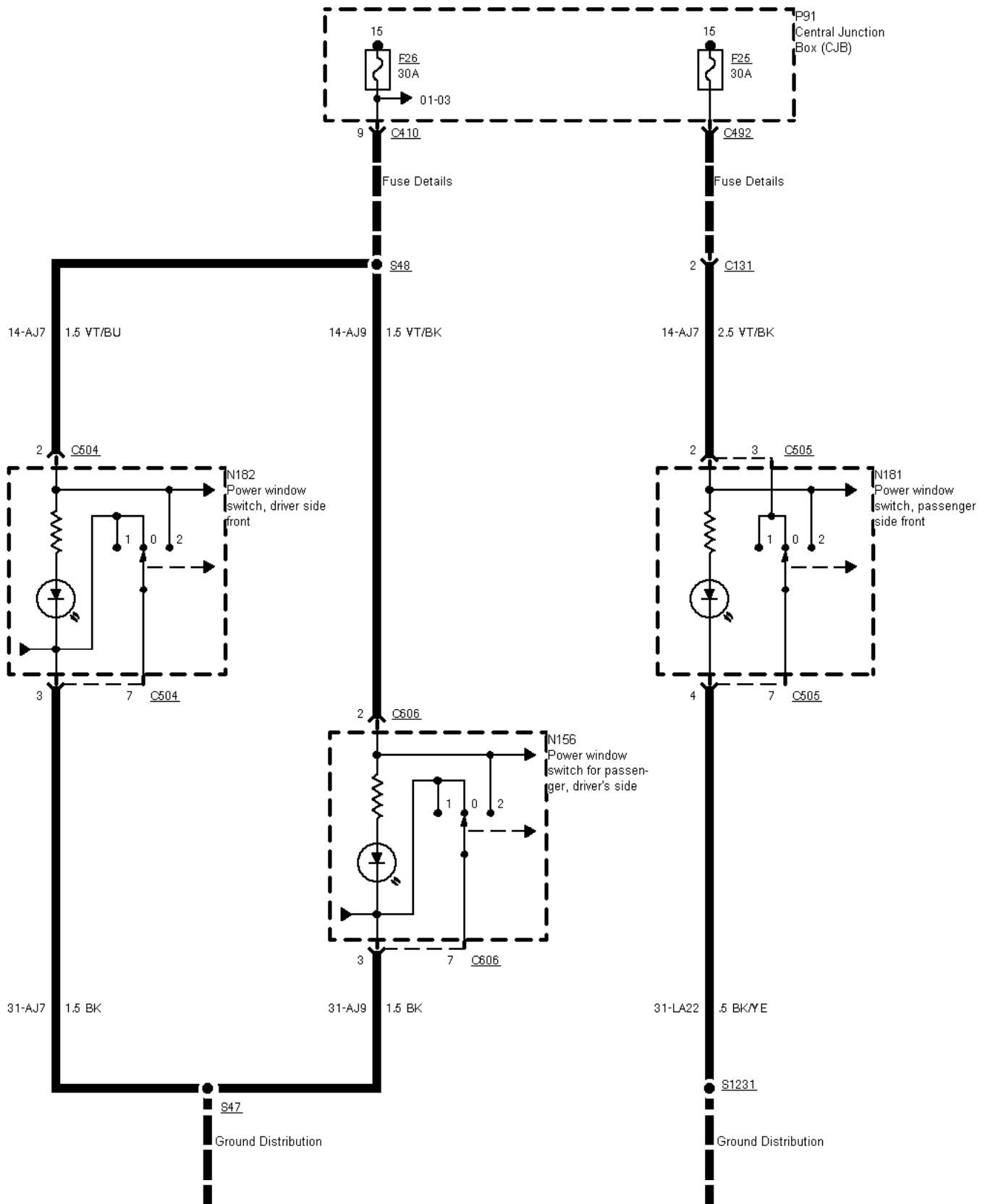
G1

33-03-010 , Instrument Illumination , Higher option content Before 02/95



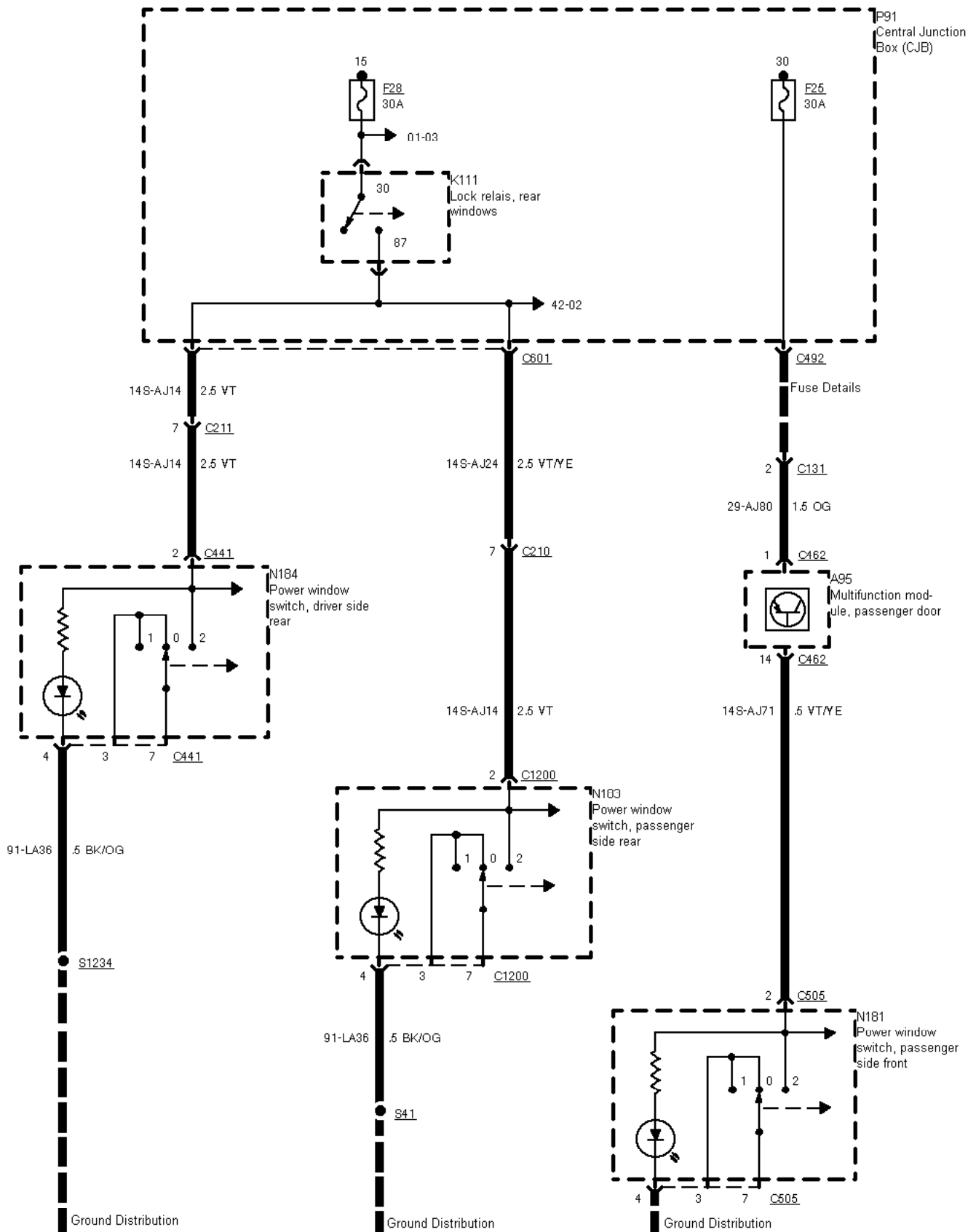


33-03-011 , Instrument Illumination , Front power window As of 02/95



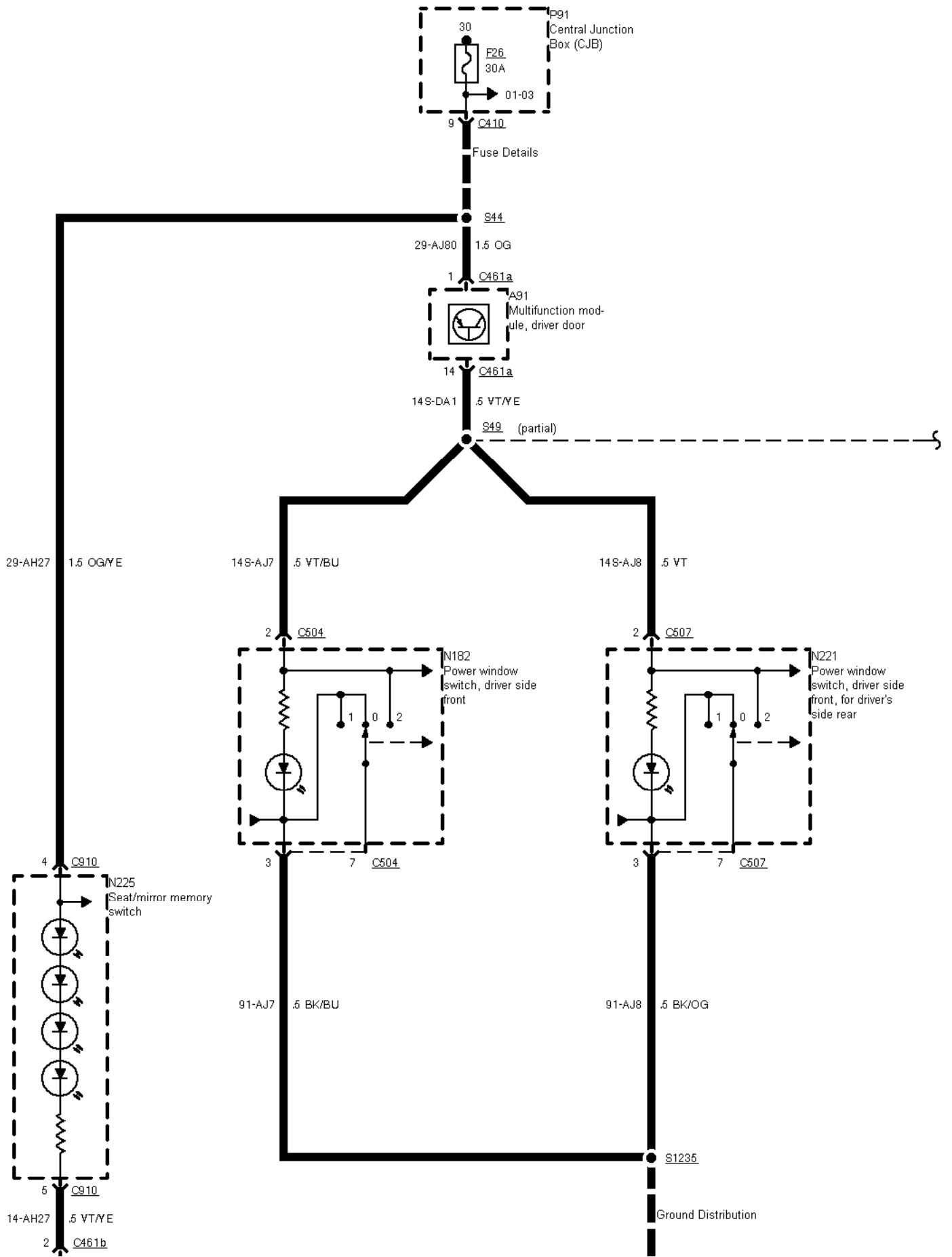


33-03-012 , Instrument Illumination , Higher option content As of 02/95





33-03-013 , Instrument Illumination , Higher option content As of 02/95



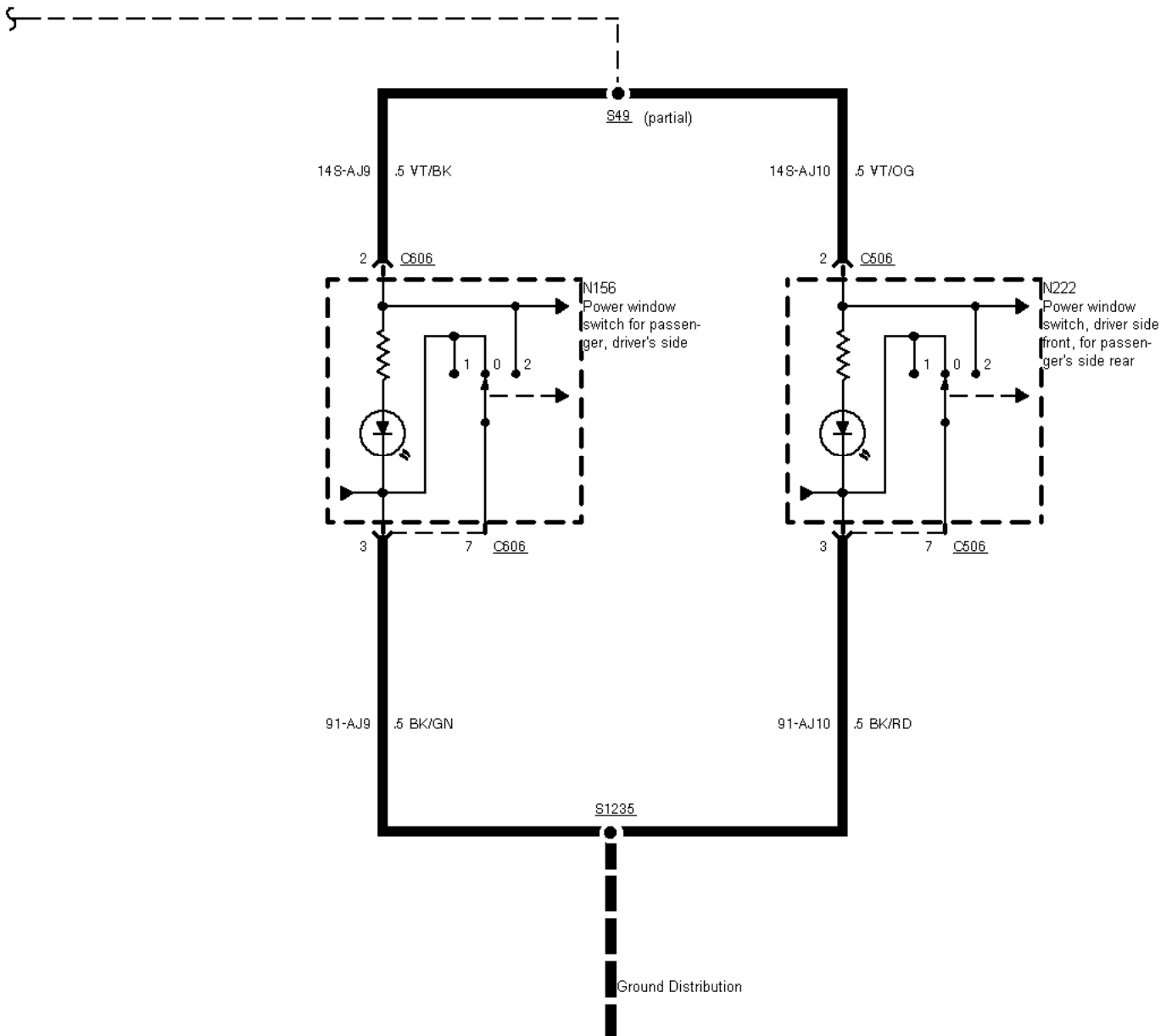


A91
Multifunction mod-
ule, driver door



G3

33-03-014 , Instrument Illumination , Higher option content As of 02/95





G3

